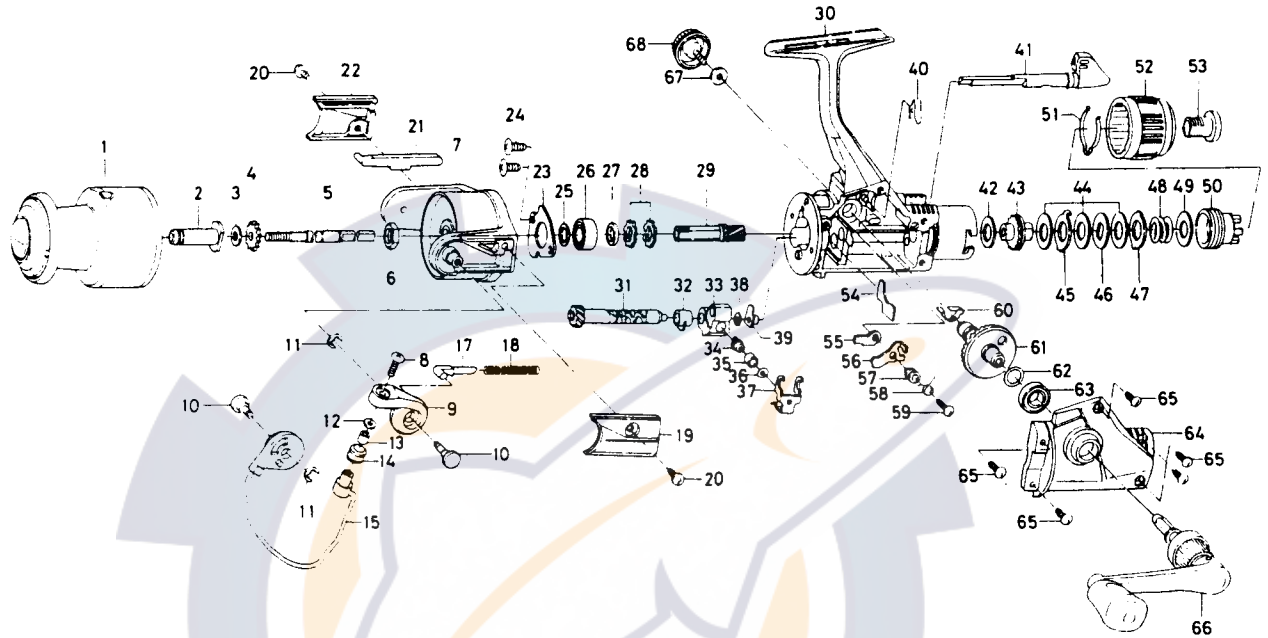


# SPINNING REEL — PM750



Key No.	Part No.	Part Name	Price
1	F07-5702	Spool assembly	10.00
2	F07-4601	Spool metal	1.90
3	375-3002	Spool washer	.45
4	E13-1201	Main shaft washer	.95
5	F07-3201	Main shaft	3.00
6	341-9201	Rotor nut	.55
7	E36-8105	Rotor	4.50
8	B67-9304	Line roller screw	.40
9	F01-0401	Bail arm	1.45
10	E37-1702	Bail arm screw	1.15
11	320-5901	Bail arm screw retainer	.50
12	B55-4301	Line roller washer	.40
13	B45-1501	Line roller bushing	.60
14	250-3921	Line roller	.90
15	F12-9101	Bail assembly	4.50
17	E36-8201	Bail spring shaft	.70
18	E41-7701	Bail spring	.70
19	E36-8302	Bail spring cover	1.65
20	E36-4202	Bail spring cover screw	.60
21	E36-8402	Bail trip lever	1.15
22	E36-8505	Bail trip cover	1.40
23	F05-7101	Bearing retainer	.50
24	E03-7801	Bearing retainer screw	.60
25	375-8503	Bearing washer	.60
26	634-1301	Ball bearing A	6.95
27	E29-6101	Spacing sleeve	.70
28	E27-1501	Anti-reverse ratchet	.75
29	F07-5501	Pinion gear	5.60
30	F11-1402	Body assembly	17.35
31	F12-4301	Worm shaft	6.15
32	F07-3001	Worm shaft bush	.70
33	F07-2601	Oscillating slider	3.25
34	E12-2403	Oscillating pawl	4.95
35	E12-4601	Oscillating pawl bush	2.35

Key No.	Part No.	Part Name	Price
36	375-0800	Oscillating pawl washer	.40
37	F07-3301	Oscillating slider cover	1.40
38	B53-6100	Worm shaft washer	.35
39	F05-6901	Worm shaft collar	.95
40	E26-8701	Anti-reverse cam spring	.60
41	F07-2403	Anti-reverse lever	1.70
42	B48-9902	Drag washer A	.45
43	F07-3701	Click gear	2.10
44	B49-0202	Drag washer B	.60
45	B63-8301	Eared washer A	.45
46	B49-0301	Key washer	.45
47	B49-0102	Eared washer B	.40
48	B92-6703	Drag coil spring	.55
49	372-7601	Drag screw washer	.55
50	F07-6301	Drag screw	2.60
51	B74-7702	Drag washer spring	.45
52	F07-6601	Drag knob	2.65
53	F05-7801	Drag knob screw	1.45
54	F08-7201	Shield plate	.50
55	B95-9301	Anti-reverse pawl plate	.70
56	E27-1301	Anti-reverse pawl	1.15
57	B95-9501	Anti-reverse pawl collar	.95
58	B95-9602	Anti-reverse pawl spring A	.60
59	B00-8601	Anti-reverse pawl screw	.35
60	E29-6902	Anti-reverse pawl spring B	1.40
61	E42-0101	Drive gear	3.20
62	375-8501	Drive gear washer	.45
63	634-1301	Ball bearing B	6.95
64	F11-1502	Side cover	6.90
65	E13-0501	Side cover screw	.60
66	E41-7902	Handle assembly	6.50
67	F02-0201	Handle lock washer	.35
68	F03-5601	Handle lock screw	1.65